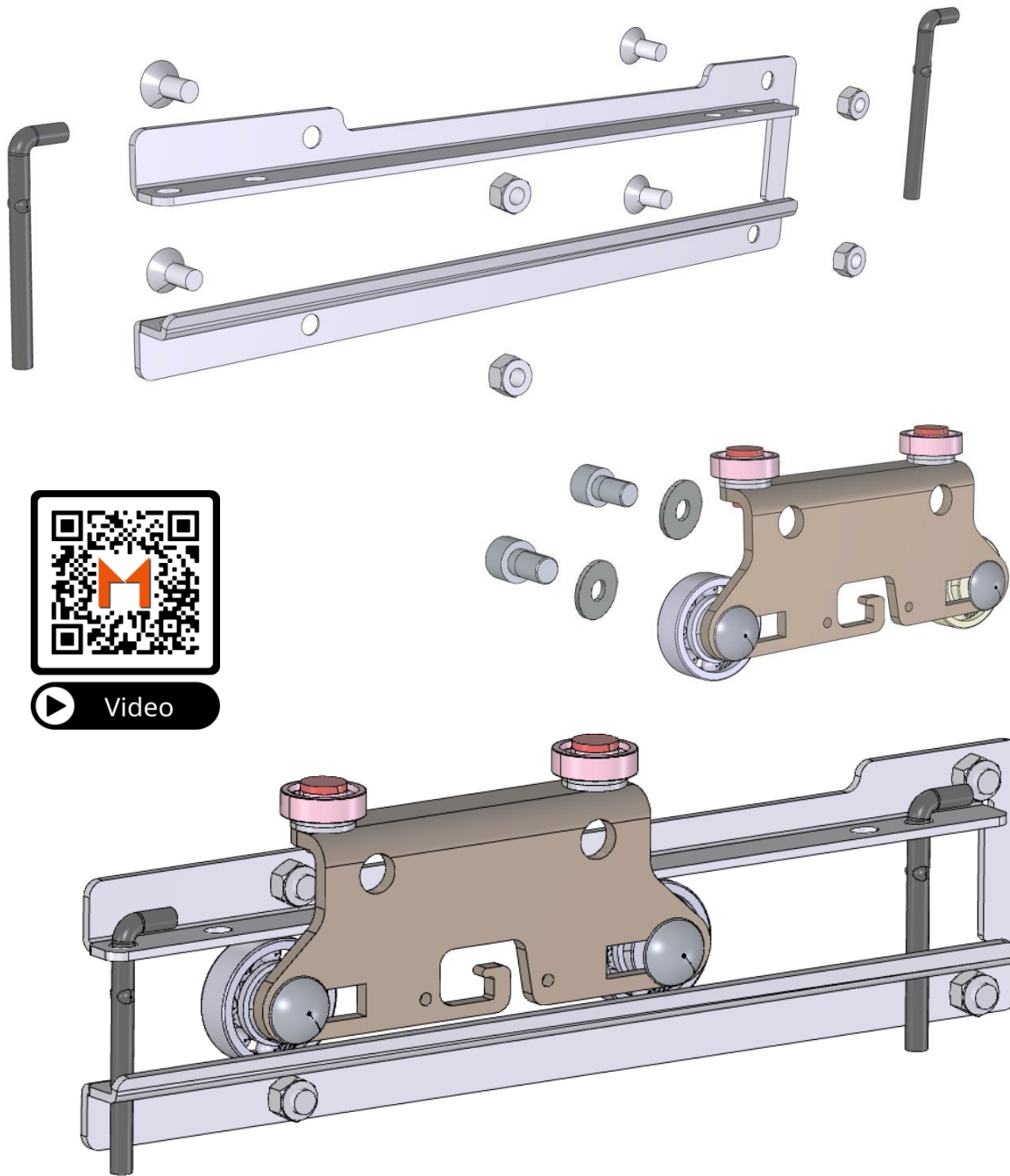
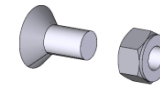


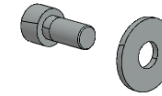
006SG00019



**N.1 KIT**



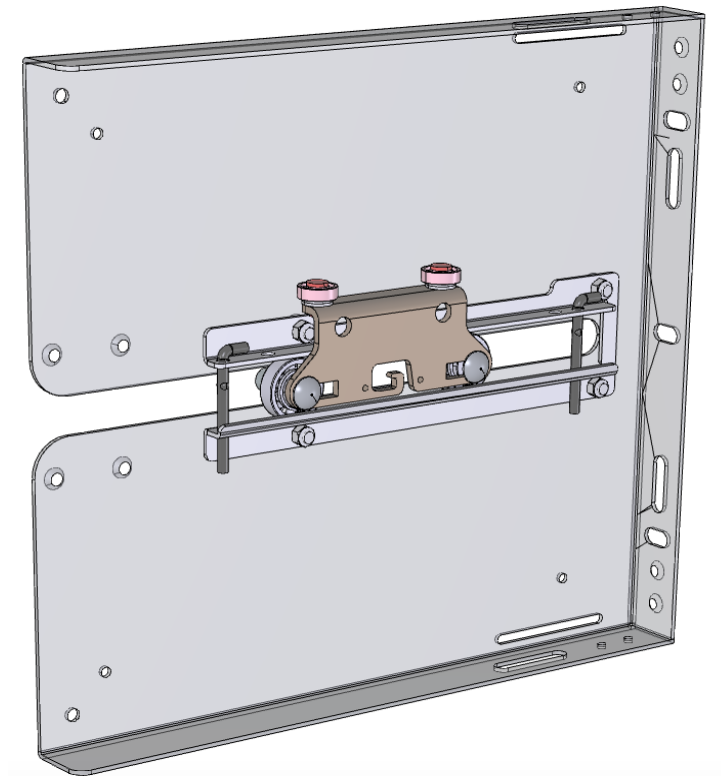
NR.4 SCREW TSEI M8x20  
NR.4 NUT D.8



NR.2 SCREW TSEI M10x16  
NR.2 WASHER D.11X30



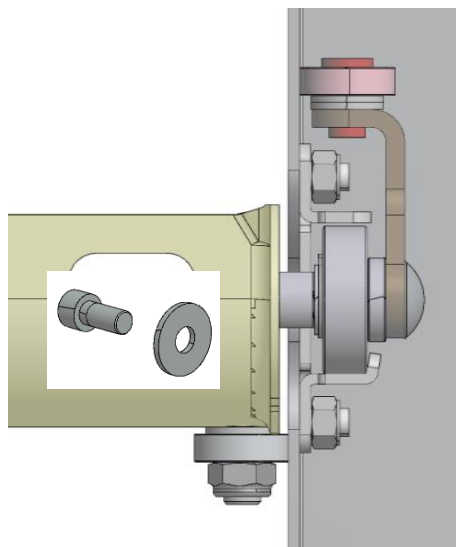
NR.2 PIN L.75



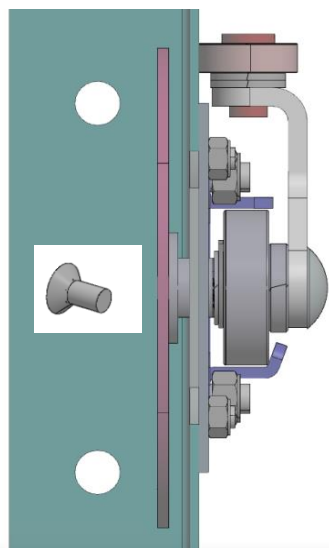
**MASINARA**

Technical drawing:

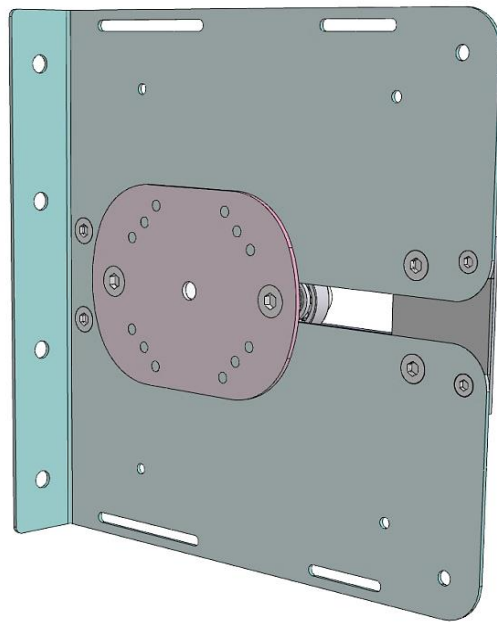
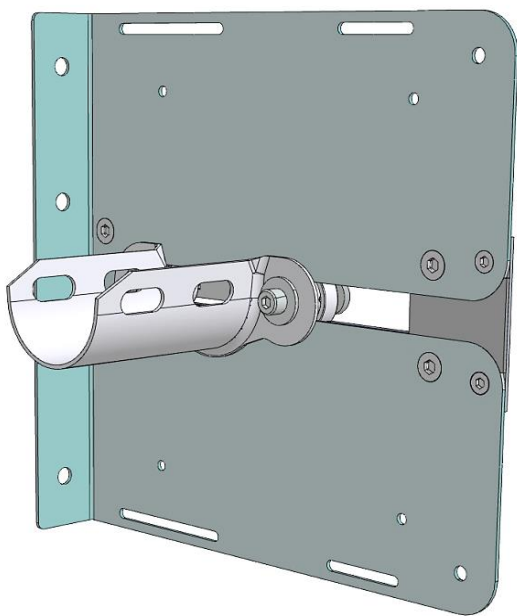
**NR.2 INSTALLATION SYSTEM CONFIGURATIONS:**



- SUPPORT FOR SHAFT

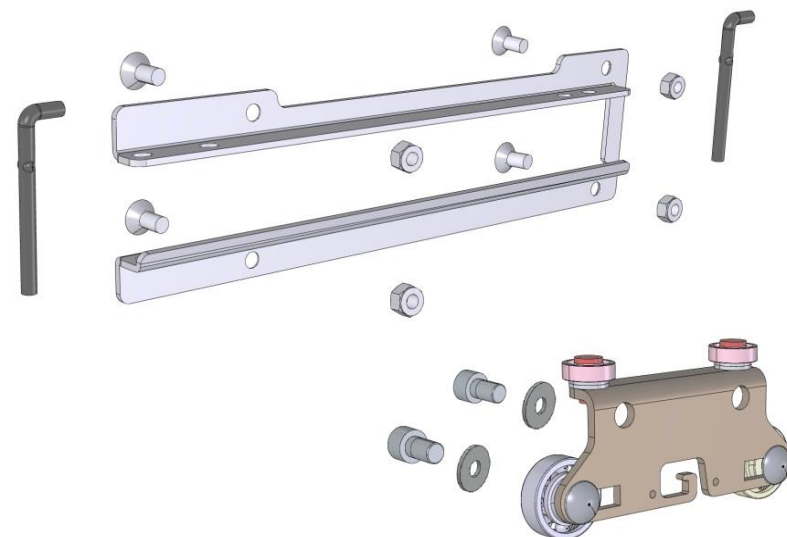
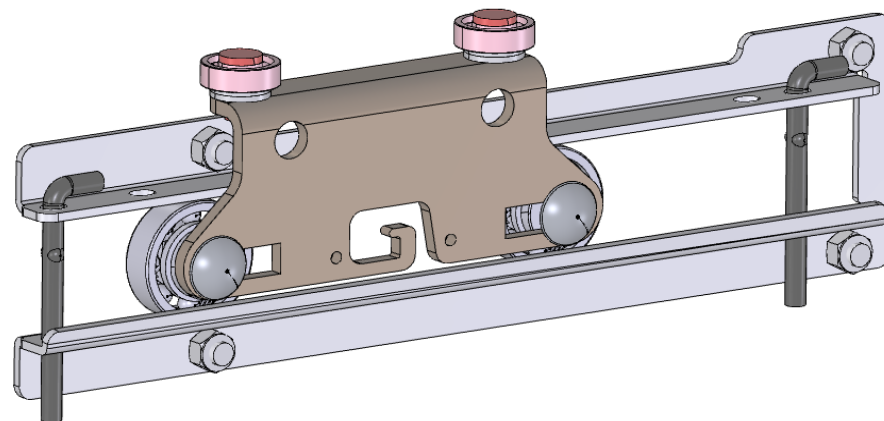


- PLATE FOR TUBULAR MOTOR



006SG00019

CARRIAGE WITH OPEN RAIL FOR  
SUPPORT TUBE OR PLATE - DOUBLE  
BEARINGS



**MASINARA**