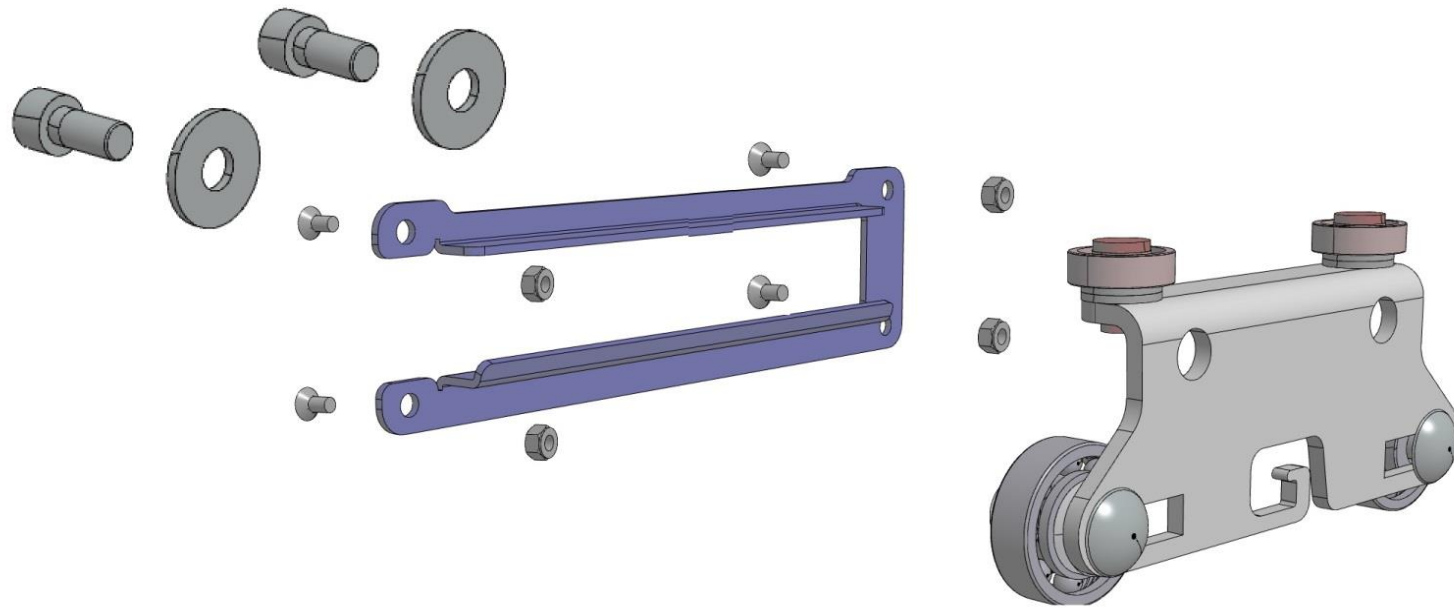
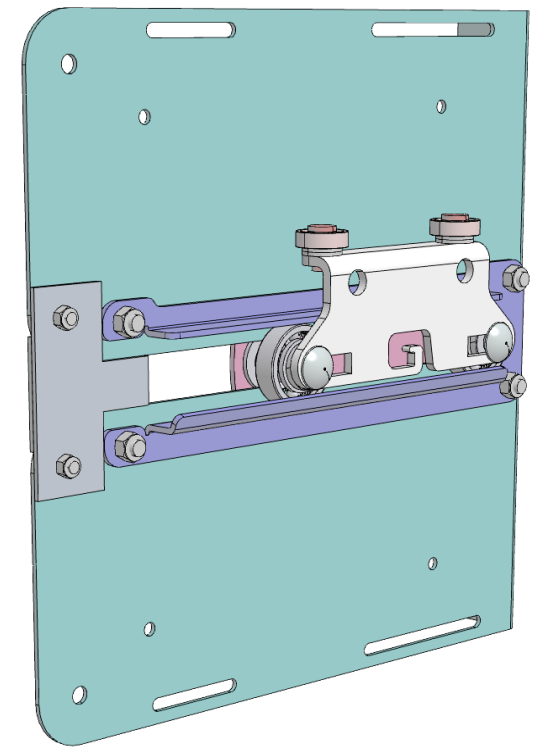
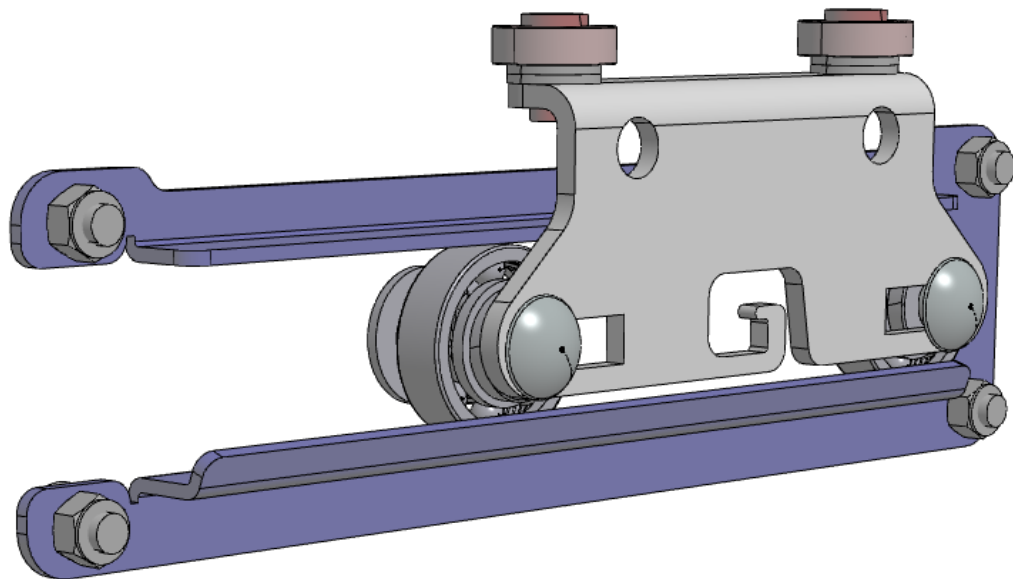


006SG00012



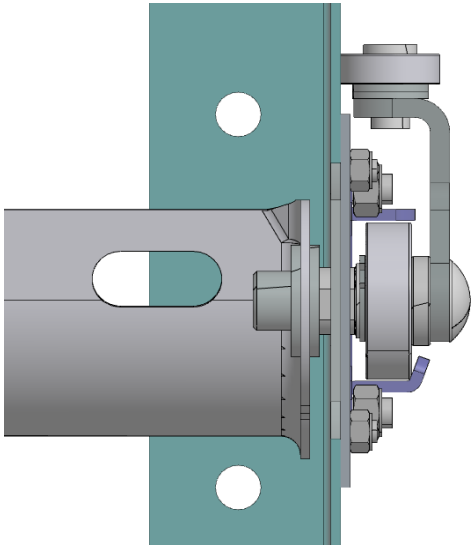
- NR.4 SCREW TSEI M8x20
- NR.4 NUT D.8
- NR.2 SCREW TSEI M10x20
- NR.2 WASHER D.11X30



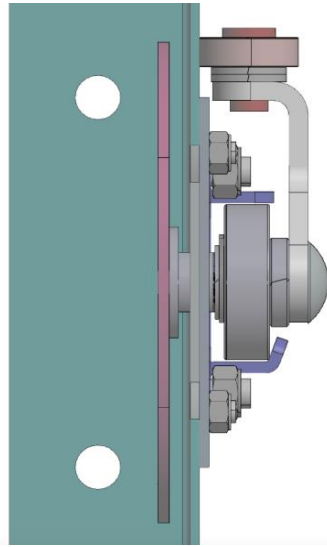
MASINARA

Technical drawing:

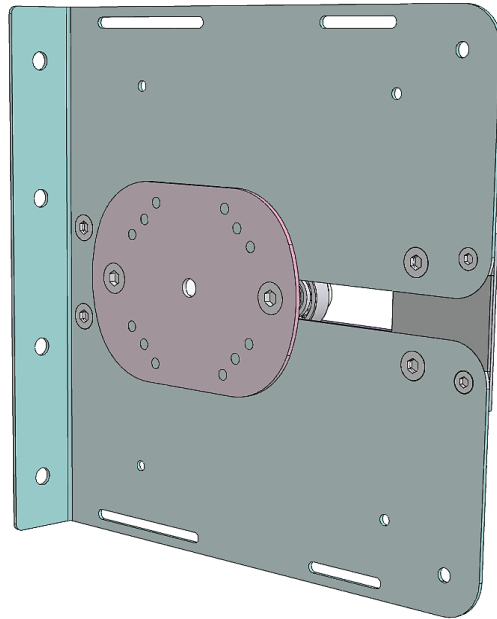
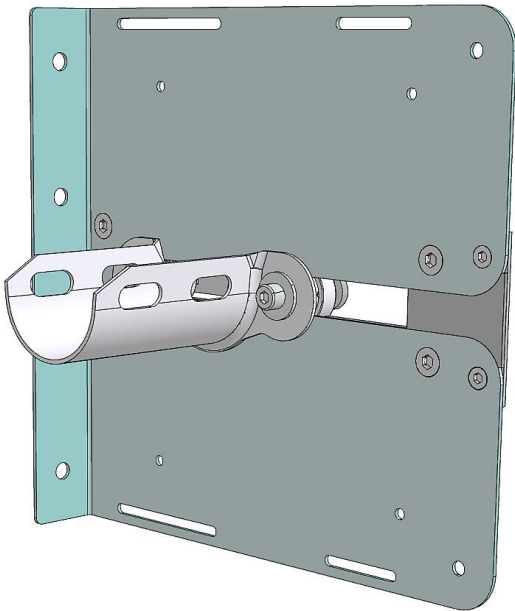
NR.2 INSTALLATION SYSTEM CONFIGURATIONS:



- SUPPORT FOR SHAFT

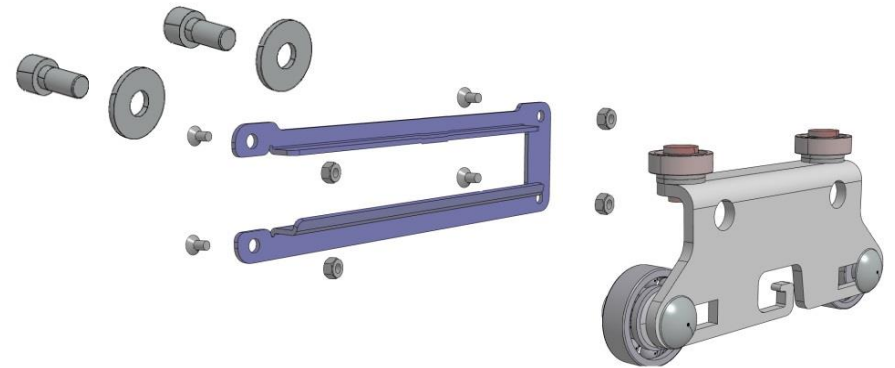
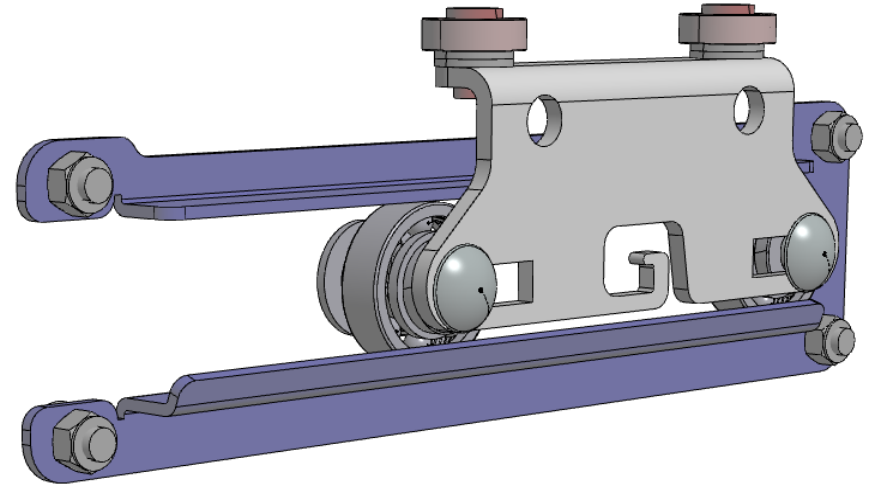


- PLATE FOR TUBULAR MOTOR



006SG00012

CARRIAGE WITH OPEN RAIL FOR
SUPPORT TUBE OR PLATE - DOUBLE
BEARINGS



MASINARA